

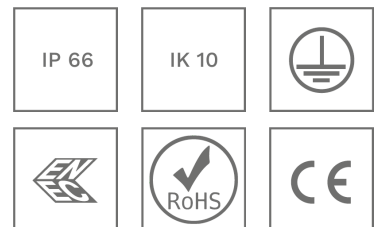
Axia 3



Engineered for performance, designed for the customer experience

With customer feedback playing a critical part in our innovative design process, we developed Axia 3. More than a luminaire, it is a platform delivering sustainability, cost-effectiveness and customer experience all while supporting smart city frameworks. Based on experience from the hundreds of thousands Axia luminaires installed worldwide, this third generation luminaire pushes the boundaries with photometric innovation, ease and speed of installation and FutureProof connectivity.

Available in three sizes, Axia 3 enables towns and cities to maximise efficiency when lighting numerous environments, from bike paths, squares and car parks to residential streets, carriageways, urban roads and large boulevards. This lightweight and compact luminaire combines quality of light with a minimal carbon footprint. It excels in easy installation and carefree maintenance, reducing operating costs.



Concept

Axia 3 is a robust yet compact luminaire, designed with a focus on miniaturisation and superior efficiency. Composed of high-pressure die-cast aluminium, as well as composite materials, Axia 3 is available in three sizes. Thanks to its reduced weight, this road luminaire is easy to handle during installation. The Axia 3.1, which can be fitted with up to 16 LEDs, is perfectly suited to low-height applications, whereas Axia 3.2 and 3.3, with up to 32 or 64 LEDs, are ideal for lighting urban and large roads, carriageways and avenues. The Axia 3 range is equipped with ProFlex™ photometric engines, providing the highest efficiency thanks to their ability to maximise the lumen output and to provide very extensive light distributions.

Axia 3 comes pre-cabled, hence there is no need to open the luminaire. The complete range is available with an integrated universal fixation part adapted for post-top and side-entry mounting on various spigots (Ø32mm with adapter, Ø42-48mm, Ø60mm and Ø76mm). The inclination angle can be adjusted on-site for both post-top (-5°/+15°) and side-entry (-10°/+10°) configurations to optimise lighting, reduce power consumption and control light pollution.

This highly efficient, cost-effective and connected-ready luminaire offers towns and cities the ideal solution to improve lighting levels, increase safety, generate energy savings and reduce their ecological footprint. Axia 3 is the ideal tool to provide another 25 years of efficiency, sustainability and safety.



The ProFlex™ photometric engine provides the highest efficiency.



The Axia 3 range has a universal fixation part for spigots ranging from Ø32 to Ø76mm.

Types of application

- URBAN & RESIDENTIAL STREETS
- BRIDGES
- BIKE & PEDESTRIAN PATHS
- RAILWAY STATIONS & METROS
- CAR PARKS
- LARGE AREAS
- SQUARES & PEDESTRIAN AREAS
- ROADS & MOTORWAYS

Key advantages

- Maximised savings in energy and maintenance costs
- ProFlex™ photometric engines offering high efficiency lighting, comfort and safety
- 3 sizes to provide the most accurate solutions for numerous road and urban applications
- Easy installation: pre-cabled and equipped with universal fixation adapted for side-entry and post-top mounting
- Adjustable inclination for optimised photometry and uniformity
- Connected-ready



The inclination is adjustable on-site for optimised photometry and further energy savings.



Axia 3 is connected-ready and can operate with various sensors and control systems.



The ProFlex™ photometric engine integrates the lenses into a polycarbonate protector. This integration increases the output and reduces the reflection inside the optical unit. The polycarbonate used for the ProFlex™ photometric engine offers essential characteristics such as high optical clarity for a superior light transmission, better impact resistance compared to glass and a long life span with UV-stabilisation treatment. The ProFlex™ concept enables a compact design with a thin optical compartment. It provides extensive light distributions so that the spacing between the luminaires can be increased.

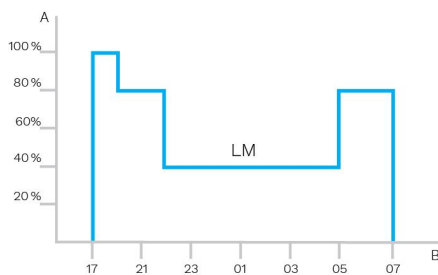




Custom dimming profile

Intelligent luminaire drivers can be programmed with complex dimming profiles. Up to five combinations of time intervals and light levels are possible. This feature does not require any extra wiring.

The period between switching on and switching off is used to activate the preset dimming profile. The customised dimming system generates maximum energy savings while respecting the required lighting levels and uniformity throughout the night.

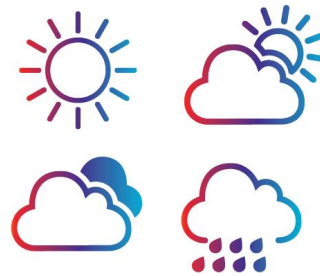


A. Performance | B. Time



Daylight sensor / photocell

Photocell or daylight sensors switch the luminaire on as soon natural light falls to a certain level. It can be programmed to switch on during a storm, on a cloudy day (in critical areas) or only at nightfall so as to provide safety and comfort in public spaces.



PIR sensor: motion detection

In places with little nocturnal activity, lighting can be dimmed to a minimum most of the time. By using passive infrared (PIR) sensors, the level of light can be raised as soon as a pedestrian or a slow vehicle is detected in the area.

Each luminaire level can be configured individually with several parameters such as minimum and maximum light output, delay period and ON/OFF duration time. PIR sensors can be used in an autonomous or interoperable network.



Owlet IoT

Owlet IoT remotely controls luminaires in a lighting network, creating opportunities for improved efficiency, accurate real-time data and energy savings of up to 85%.



ALL-IN-ONE

The LUCO P7 CM controller includes the most advanced features for optimised asset management. It also provides an integrated photocell and operates with an astronomical clock for seasonal dimming profile adaptations.

EASY TO DEPLOY

Thanks to wireless communication, no cabling is needed. The network is not subject to physical constraints or limitations. From a single control unit to an unlimited network, you can expand your lighting scheme at any time. With real-time geolocation and automatic detection of luminaire features, commissioning is quick and easy.

USER-FRIENDLY

Once a controller is installed on a luminaire, the luminaire automatically appears with its GPS coordinates on a web-based map.

An easy-to-use dashboard enables each user to organise and customise screens, statistics and reports. Users can gain relevant, real-time insights.

The Owlet IoT web application can be accessed at all times from anywhere in the world with a device connected to the Internet. The application adapts to the device to offer an intuitive and user-friendly experience.

Real-time notifications can be pre-programmed to monitor the most important elements of the lighting scheme.



SECURE

The Owlet IoT system uses a local wireless mesh communication networks to control the on-site luminaires combined with a remote control system utilising the cloud to ensure smooth data transfers to and from the central management system.

The system uses encrypted IP V6 communication to protect data transmission in both directions. Using a secure APN, Owlet IoT ensures a high level of protection.

In the exceptional case of a communication failure, the built-in astronomical clock and photocell will take over to switch the luminaires on and off, thus avoiding a complete blackout at night.

EFFICIENT

Thanks to sensors and/or pre-programmed settings, lighting scenarios can be easily adapted to cope with live events, providing the right lighting levels at the right time and in the right place.

The integrated utility grade meter offers the highest accuracy available on the market today, enabling decisions based on real figures.

Accurate real-time feedback and clear reporting ensures that the network operates efficiently and maintenance is optimised.

When LED luminaires are switched on, the inrush current can create problems for the electricity grid. Owlet IoT incorporates an algorithm to preserve the grid at all times.

OPEN

The LUCO P7 CM controller can be plugged onto the standard 7 pin NEMA socket and operates through either a DALI or 1-10V interface to control the luminaire.

Owlet IoT is based on the IPv6 protocol. This method for addressing devices can generate an almost unlimited number of unique combinations to connect non-traditional components to the Internet or computer network.

Through open APIs, Owlet IoT can be integrated into existing or future global management systems.

The Schröder Bluetooth solution consists of 3 main components:

- A Bluetooth dongle plugged into the modular driver of the luminaire (BLE transceiver)
- A Bluetooth antenna fitted on the luminaire
- A smartphone application called Sirius BLE



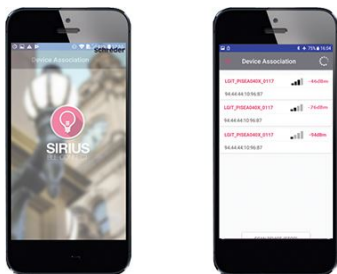
Easy to use

The Schröder Bluetooth solution is ideal for the on-site configuration of individual outdoor luminaires using Bluetooth. From the ground, the user is able to switch the luminaire on or off, adapt the dimming curve, read diagnostic data and much more. A user-friendly application called Sirius BLE provides an easy and secure access to the control and configuration functions.

Whether you are managing a lighting network in an urban or a residential area, this solution will make it easy to control your outdoor luminaires while simply standing by the pole.

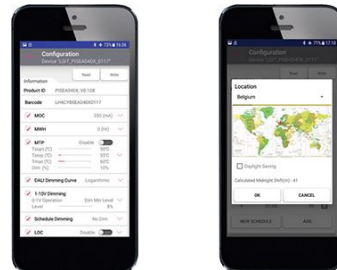
Quick and easy pairing

Get the Sirius App from Schröder. Go to the menu. Press the “SCAN DEVICE (START)” button, to search for the surrounding BLE modules. They will be displayed with a bar graphic (signal intensity) to indicate the closest and the most distant one you can reach. Click on the device you want to connect to and enter your personal access key to control the luminaire.



Defining the settings

Once you are connected to a luminaire, you can set various parameters such as the maximum output current, minimum dimming level and custom dimming profile.



Manual dimming control

The App enables you to do a manual override to adapt the dimming levels instantly. Simply tap on the “Dimming” button in the main menu and adjust the dimming using the wheel and button. Predefined dimming levels can be applied immediately. The corresponding value is displayed on the wheel. This enables you to test the ON / OFF and dimming features of the luminaire paired to the smartphone.



On-site diagnostic

When a luminaire is paired, you can access various diagnostic information: total number of power up events, operation time of LED module and driver, total energy consumption of LED driver... etc. You can also track operating events (short circuits, thermal shutdowns...). The diagnostic values may be the current state or values accumulated to date.



GENERAL INFORMATION

Recommended installation height	4m to 12m 13' to 39'
Driver included	Yes
CE Mark	Yes
ENEC certified	Yes
ROHS compliant	Yes
Testing standard	LM 79-08 (all measurements in ISO17025 accredited laboratory)

HOUSING AND FINISH

Housing	Aluminium Composite materials
Optic	Polycarbonate
Protector	Polycarbonate (with integrated lenses)
Housing finish	Polyester powder coating
Standard colour(s)	RAL 7040 window grey RAL 9005 Jet black
Tightness level	IP 66
Impact resistance	IK 10
Vibration test	Compliant with modified IEC 68-2-6 (0.5G)

OPERATING CONDITIONS

Operating temperature range (Ta)	-30 °C up to +45 °C / -22 °F up to 113 °F
----------------------------------	---

· Depending on the luminaire configuration. For more details, please contact us.

ELECTRICAL INFORMATION

Electrical class	Class I EU
Nominal voltage	220-240V – 50-60Hz
Power factor (at full load)	0.9
Surge protection options (kV)	10
Electromagnetic compatibility (EMC)	EN 55015 / EN 61000-3-2 / EN 61000-4-5 / EN 61547
Control protocol(s)	Bluetooth, DALI
Control options	Custom dimming profile, Photocell, Remote management
Socket	Low voltage socket (optional) NEMA 3-pin (optional) NEMA 6-pin (optional) NEMA 7-pin (optional)
Associated control system(s)	Sirius BLE Owlet IoT
Sensor	PIR (optional)

OPTICAL INFORMATION

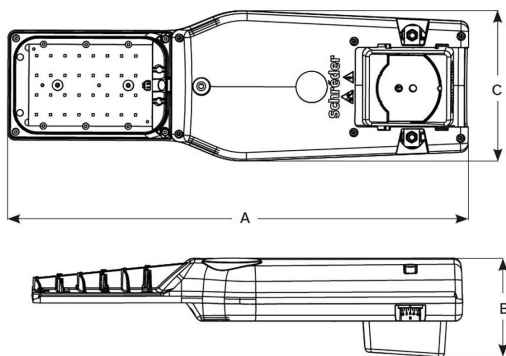
LED colour temperature	3000K (Warm White 730) 4000K (Neutral White 740)
Colour rendering index (CRI)	>70 (Warm White 730) >70 (Neutral White 740)
Upward Light Output Ratio (ULOR)	0%

LIFETIME OF THE LEDS @ TQ 25°C

All configurations	100,000h - L90
--------------------	----------------

DIMENSIONS AND MOUNTING

AxBxC (mm inch)	AXIA 3.1 - 513x130x191 20.2x5.1x7.5 AXIA 3.2 - 585x130x191 23.0x5.1x7.5 AXIA 3.3 - 550x130x277 21.7x5.1x10.9
Weight (kg lbs)	AXIA 3.1 - 3.6 7.9 AXIA 3.2 - 4.8 10.6 AXIA 3.3 - 6 13.2
Aerodynamic resistance (CxS)	AXIA 3.1 - 0.03 AXIA 3.2 - 0.03 AXIA 3.3 - 0.09
Mounting possibilities	Side-entry slip-over - Ø32mm Side-entry slip-over - Ø42mm Side-entry slip-over - Ø48mm Side-entry slip-over - Ø60mm Post-top slip-over - Ø60mm Post-top slip-over - Ø76mm





Luminaire	Number of LEDs	Current (mA)	Luminaire output flux (lm) Warm White 730		Luminaire output flux (lm) Neutral White 740		Power consumption (W)		Luminaire efficacy (lm/W)	Photometry
			Min	Max	Min	Max	Min	Max	Up to	
AXIA 3.1	8	300	1000	1000	1100	1100	8.3	8.3	133	
	8	400	1300	1300	1400	1400	10.9	10.9	128	
	8	600	1900	1900	2000	2100	16.3	16.3	129	
	8	700	2100	2200	2300	2400	18.8	18.8	128	
	8	850	2500	2600	2700	2800	22.8	22.8	123	
	16	200	1400	1400	1500	1500	11.1	11.1	135	
	16	300	2000	2100	2200	2300	15.9	15.9	145	
	16	480	3100	3200	3300	3500	25.1	25.1	139	
	16	500	3200	3300	3400	3600	25.8	25.8	140	
	16	600	3800	3900	4000	4200	31	31	135	
	16	700	4300	4500	4600	4800	35.6	35.6	135	
	16	870	5100	5300	5400	5700	44	44	130	

Tolerance on LED flux is $\pm 7\%$ and on total luminaire power $\pm 5\%$



Luminaire	Number of LEDs	Current (mA)	Luminaire output flux (lm) Warm White 730		Luminaire output flux (lm) Neutral White 740		Power consumption (W)		Luminaire efficacy (lm/W)	Photometry
			Min	Max	Min	Max	Min	Max	Up to	
AXIA 3.2	24	200	2100	2200	2200	2300	15.3	15.3	150	
	24	300	3100	3200	3300	3400	22.4	22.4	152	
	24	400	4000	4100	4300	4400	29.7	29.7	148	
	24	500	4800	5000	5200	5400	37.2	37.2	145	
	24	590	5600	5800	6000	6200	44	44	141	
	24	700	6400	6600	6900	7100	52.5	52.5	135	
	24	800	7100	7300	7600	7900	60.5	60.5	131	
	24	900	7800	8000	8300	8600	68.5	68.5	126	
	24	1000	8400	8600	9000	9300	76	76	122	
	32	200	2800	2900	3000	3100	19.8	19.8	157	
	32	300	4100	4200	4400	4500	29.5	29.5	153	
	32	450	5900	6100	6300	6500	45.5	45.5	143	
	32	500	6500	6700	6900	7200	48.5	48.5	148	
	32	600	7500	7800	8100	8400	59	59	142	
	32	700	8600	8900	9200	9500	69	69	138	
	32	800	9500	9800	10200	10500	78	78	135	

Tolerance on LED flux is $\pm 7\%$ and on total luminaire power $\pm 5\%$



Luminaire	Number of LEDs	Current (mA)	Luminaire output flux (lm) Warm White 730		Luminaire output flux (lm) Neutral White 740		Power consumption (W)		Luminaire efficacy (lm/W) Up to	Photometry
			Min	Max	Min	Max	Min	Max		
AXIA 3.3	48	200	4200	4300	4500	4600	27.9	27.9	165	
	48	300	6100	6400	6600	6800	42	42	162	
	48	400	8000	8300	8500	8900	56	56	159	
	48	550	10400	10900	11200	11600	78	78	149	
	48	600	11200	11600	12000	12500	86	86	145	
	48	700	12600	13100	13500	14100	100	100	141	
	48	800	13900	14500	14900	15500	115	115	135	
	64	200	5600	5800	6000	6200	37.7	37.7	164	
	64	300	8200	8500	8800	9100	56.5	56.5	161	
	64	420	11100	11500	11900	12300	79	79	156	
	64	500	12900	13400	13800	14300	94	94	152	
	64	600	15000	15500	16000	16600	113	113	147	
	64	700	16900	17500	18100	18800	137	137	137	
	64	880	19800	20600	21200	22100	172	172	128	

Tolerance on LED flux is $\pm 7\%$ and on total luminaire power $\pm 5\%$

